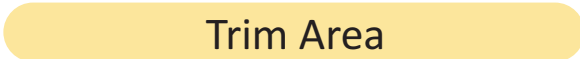



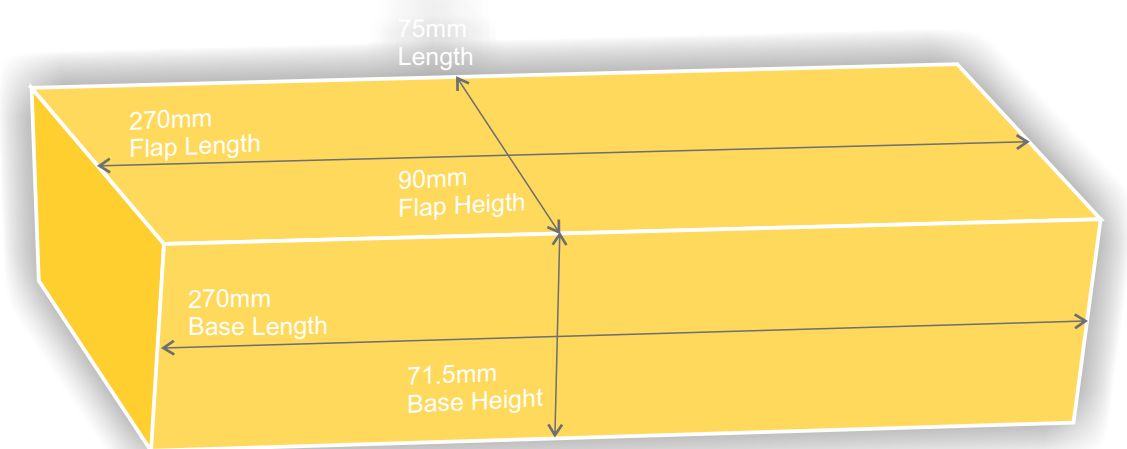


Baguette Box Template to scale 1:1

-  Trim Area
-  Bleed Area
When images or fills extend beyond trim size
-  Crease (fold) Lines
-  Die (Cut) Line

-  **90mm Flap Height**
-  **270mm Flap Length**
-  **71.5mm Base Height**
-  **270mm Base Length**



When assembled